

AC/DC 19" EURO SIZE

Switch Mode Power Supplies and Rectifiers



- EMC EN55022 A or B • Safety EN60950 • CE-marking
- High efficiency 82...89 % • Series and parallel connectable

AC/DC POWER SUPPLIES AND RECTIFIERS					
Type	Input Voltage	Output Voltage/Current	Output Power	Dimensions (Width/Height/Depth)	Connector
ADC1530	230/115 VAC	15VDC / 5A	75 W	14TE / 3U / 160 mm	DIN41612 H15
ADC1442	230/115 VAC	13.4VDC / 10A	140 W	14TE / 3U / 160 mm	DIN41612 H15
ADC1525	115 VAC	24 VDC / 6.5A	160 W	14TE / 3U / 160 mm	DIN41612 H15
ADC4102	115 VAC	54.6VDC / 3.2A	175 W	14TE / 3U / 160 mm	DIN41612 H15
ADC1180	230 VAC	24VDC / 8A	200 W	14TE / 3U / 160 mm	DIN41612 H15
ADC4250	230 VAC	54.6VDC / 4A	200 W	14TE / 3U / 160 mm	DIN41612 H15
ADC4520	230 VAC	27.4VDC / 10A	280 W	16TE / 3U / 220 mm	DIN41612 H15
ADC4000	230 VAC	27.3VDC / 20A	600 W	84TE / 2U / 255 mm	IEC / STV2/10B
ADC4010	230 VAC	54.6VDC / 10A	600 W	84TE / 2U / 255 mm	IEC / STV2/10B
ADC4890	230 VAC	48VDC / 12.5A	600 W	84TE / 2U / 255 mm	IEC / STV2/10B



INPUT SPECIFICATIONS

Input voltage range

Frequency

Power factor

Isolation:
(minimum)

input / ground

input / output

output / ground

Overvoltages

typically 100...132 VAC or 187...264 VAC

45...65Hz

0.55...1 depending on type

1500 VAC RMS 50Hz, 1min

3000 VAC RMS 50Hz, 1min

500 VDC

Protected by VDR-resistor

OUTPUT SPECIFICATIONS

Output voltage setting range

Ripple voltage

Load regulation

Line regulation

Current limit

Short circuit current

typically $\pm 5...20\%$

typically $< 15\text{mV}_{\text{rms}}$

typically $\pm 1\%$

typically $\pm 0.1\%$

typically $< 120\%$

typically $< 200\%$

GENERAL SPECIFICATIONS

Efficiency

Safety

EMC

Approvals

Enclosure

Operation temperature

Humidity

Cooling

82...89%

EN 60950 Class I

EN 55022 class A or B

CE-marking

IP 20

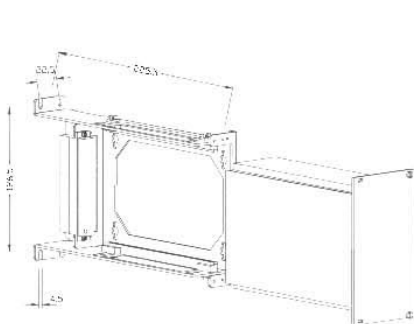
-20°C...+50 °C, minimum

5...85% RH IEC68-2-30

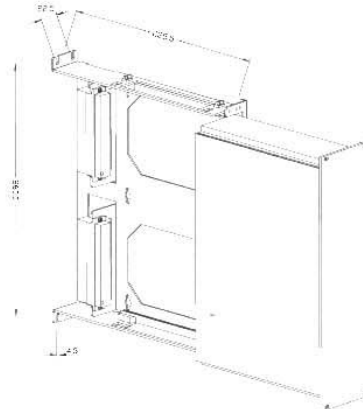
Convection

ASK FOR MORE DETAILED SPECIFICATIONS

WALL MOUNTING ADAPTERS



Type: WMA1710RM
Euro I modules



Type: WMA4550
Euro II modules

Euro I and Euro II units can be used without subrack by using simple wall mounting adapters.

Wall mounting by 4 screws from rear or side.

- Easy to install
- Small size
- Units can be changed easily
- Robust steel construction

H15 MATING CONNECTOR FOR EURO MODULES



Type: 55091500
H15 female

